

## 3A Low Dropout Positive Regulator

### FEATURES

- Dropout Voltage 1.3V at 3A Output Current.
- Fast Transient Response.
- Extremely Tight Line and Load Regulation.
- Current Limiting and Thermal Protection.
- Adjustable Output Voltage or Fixed 1.5V, 1.8V, 2.5V and 3.3V.
- Standard 3-Pin Power Packages.

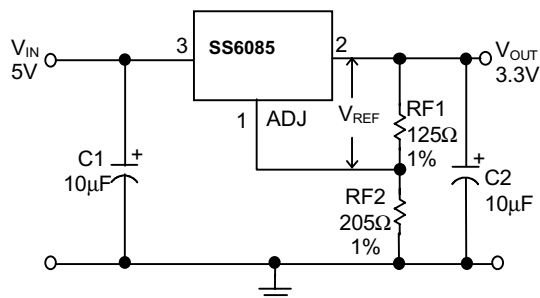
### APPLICATIONS

- Mother Board I/O Power Supplies.
- Microprocessor Power Supplies.
- High Current Regulator.
- Post Regulator for Switching Supply.

### DESCRIPTION

The SS6085 is a low dropout three terminal regulator with 3A output current capability. The output voltage is adjustable with the use of a resistor divider or fixed 1.5V, 1.8V, 2.5V and 3.3V. Dropout voltage is guaranteed to be at a maximum of 1.4V with the maximum output current. Its low dropout voltage and fast transient response make it ideal for low voltage microprocessor applications. Current limiting and thermal protection provides protection against any overload condition that would create excessive junction temperatures.

### TYPICAL APPLICATION CIRCUIT



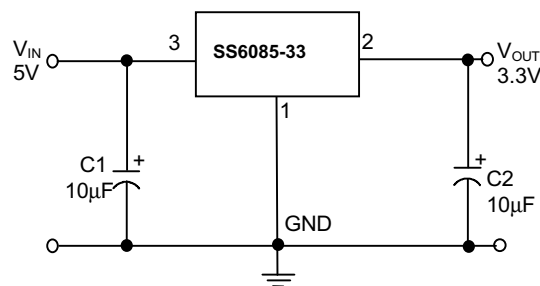
**Adjustable Voltage Regulator**

$$V_{REF} = V_{OUT} - V_{ADJ} = 1.25V \text{ (typ.)}$$

$$V_{OUT} = V_{REF} \times \left(1 + \frac{RF2}{RF1}\right) + I_{ADJ} \times RF2$$

$$I_{ADJ} = 55\mu A \text{ (typ.)}$$

- (1) C1 needed if device is far away from filter capacitors.
- (2) C2 required for stability.



**Fixed Voltage Regulator**

## ORDERING INFORMATION

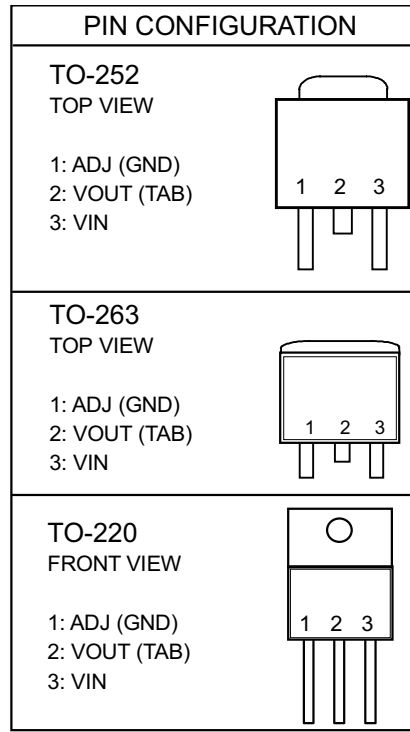
**SS6085-XXCXXX**

 PACKING TYPE  
 TR: TAPE & REEL  
 TB: TUBE

 PACKAGING TYPE  
 E: TO-252  
 M: TO-263  
 T: TO-220

 OUTPUT VOLTAGE  
 DEFAULT: ADJUSTABLE  
 15: 1.5V  
 18: 1.8V  
 25: 2.5V  
 33: 3.3V

Example: **SS6085-15CETR**  
 → 1.5V version in TO-252 Package  
 & Taping & Reel Packing Type



## ABSOLUTE MAXIMUM RATINGS

VIN pin to ADJ/ GND pin.....	7V
Operating Junction Temperature Range.....	0°C~ 125°C
Storage Temperature Range.....	- 65°C ~ 150°C
Thermal Resistance Junction to Case TO-252.....	12.5°C/W
TO-263, TO-220.....	3°C /W
Thermal Resistance Junction to Ambient TO-252.....	100°C/W
(Assume no ambient airflow, no heatsink) TO-263.....	60°C /W
TO-220.....	50°C /W
Lead Temperature (Soldering) 10 sec.....	260°C

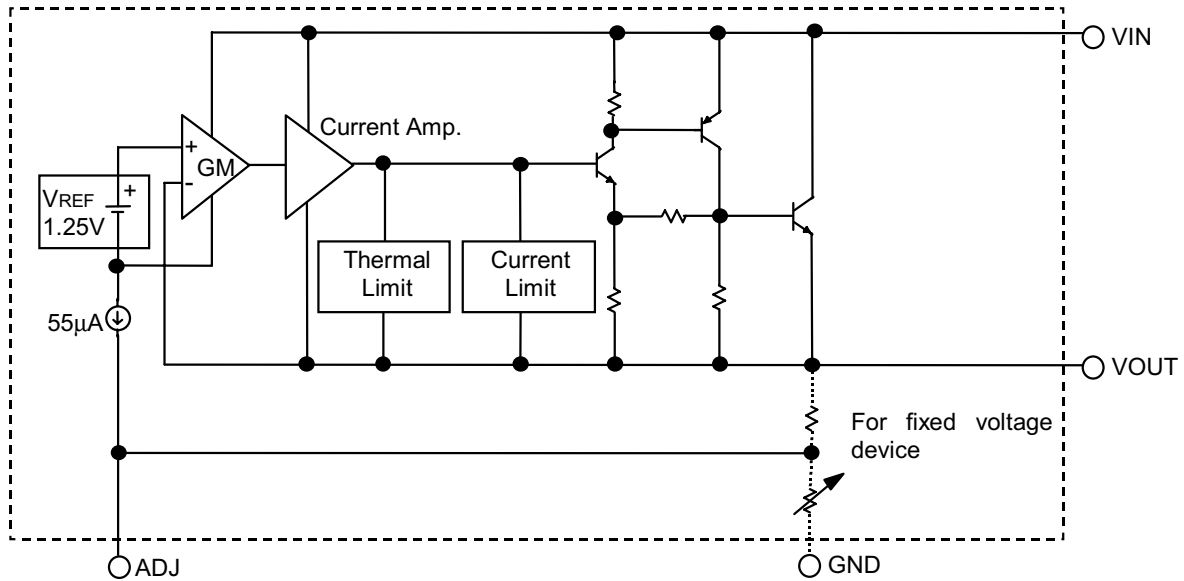
## TEST CIRCUIT

Refer to TYPICAL APPLICATION CIRCUIT.

■ **ELECTRICAL CHARACTERISTICS** ( $V_{IN}=5V$ ,  $T_J=25^\circ C$ ,  $I_O=10mA$ , Unless otherwise specified)

PARAMETER	TEST CONDITIONS	MIN.	TYP.	MAX.	UNIT
Reference Voltage ( $V_{OUT}-V_{ADJ}$ )	SS6085 (ADJ) $T_J=25^\circ C$	1.238	1.25	1.262	V
Output Voltage	SS6085-15, $V_{IN}=5V$ SS6085-18, $V_{IN}=5V$ SS6085-25, $V_{IN}=5V$ SS6085-33, $V_{IN}=5V$	1.48 1.78 2.47 3.26	1.50 1.80 2.50 3.30	1.52 1.82 2.53 3.34	V
Line Regulation	ADJ: $2.65V \leq V_{IN} \leq 7V$ , $V_{OUT}=1.25V$ Fix : $V_{OUT}+1.4V \leq V_{IN} \leq 7V$ , $T_J=25^\circ C$		0.015	0.2	%
Load Regulation	$10mA < I_O < 3A$ $T_J=25^\circ C$			0.6	%
Dropout Voltage	$\Delta V_{OUT}, \Delta V_{REF}=1\%$ $10mA \leq I_O \leq 3A$ $0^\circ C \leq T_J \leq 125^\circ C$		1.3	1.4	V
Current Limit	$0^\circ C \leq T_J \leq 125^\circ C$	3	4		A
Adjusted Pin Current ( $I_{ADJ}$ )	$2.65V \leq V_{IN} \leq 7V$		55	120	$\mu A$
Adjusted Pin Current Change ( $\Delta I_{ADJ}$ )	$2.65V \leq V_{IN} \leq 7V$ $0^\circ C \leq T_J \leq 125^\circ C$		0.2	5	$\mu A$
Temperature Stability	$I_O=0.5A$ $0^\circ C \leq T_J \leq 125^\circ C$		0.5		%
Minimum Load Current	$0^\circ C \leq T_J \leq 125^\circ C$		5	10	mA
RMS Output Noise (% of $V_{OUT}$ )	$10Hz \leq f \leq 10KHz$		0.003		%
Ripple Rejection Ratio	120Hz input ripple $C_{OUT}=25\mu F$ $(V_{IN}-V_{OUT})=3V$	60	72		dB

## ■ BLOCK DIAGRAM



## ■ PIN DESCRIPTIONS

- ADJ PIN - Providing  $V_{REF}=1.25V$  (typ.) for adjustable  $V_{OUT}$ .  $V_{REF}=V_{OUT}-V_{ADJ}$  and  $I_{ADJ}=55\mu A$  (typ.)
- GND PIN -Power Ground.
- VOUT PIN - Adjustable output voltage.
- VIN PIN - Power Input.

## ■ TYPICAL PERFORMANCE CHARACTERISTICS

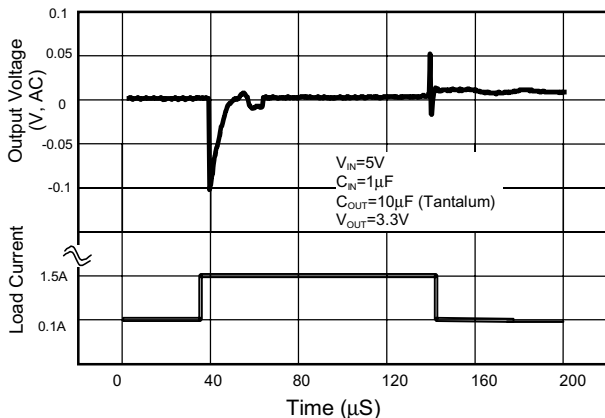


Fig. 1 Load Transient Response

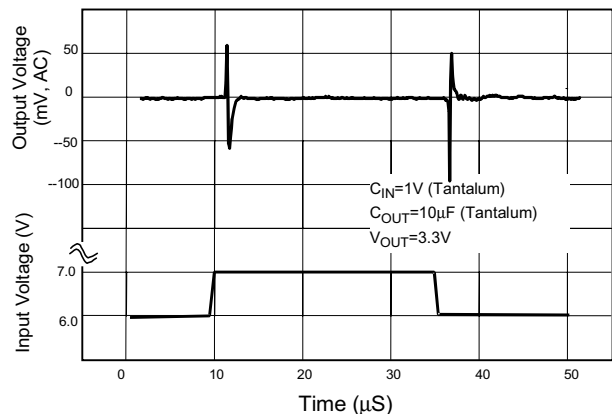


Fig. 2 Line Transient Response

## ■ TYPICAL PERFORMANCE CHARACTERISTICS (Continued)

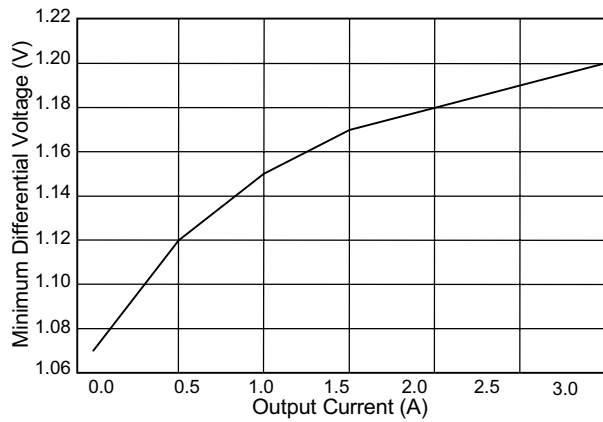


Fig. 3 Dropout Voltage ( $V_{OUT}=3.3V$ )

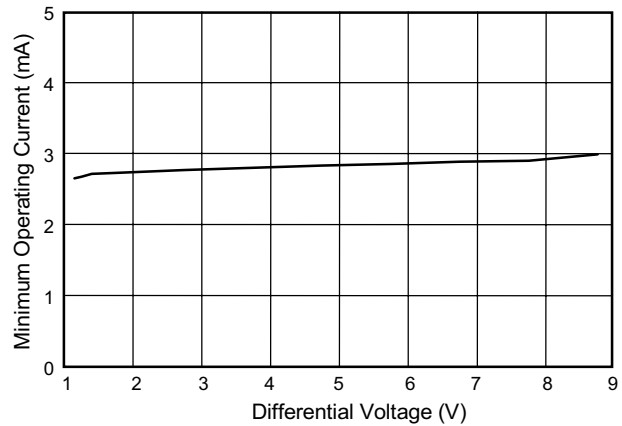
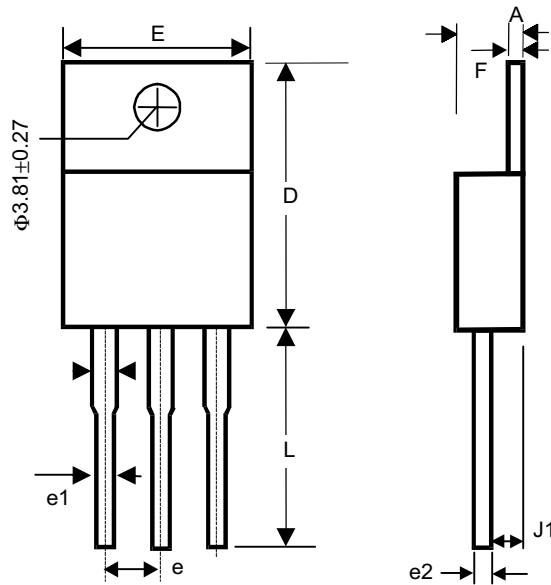


Fig. 4 Minimum Operating Current

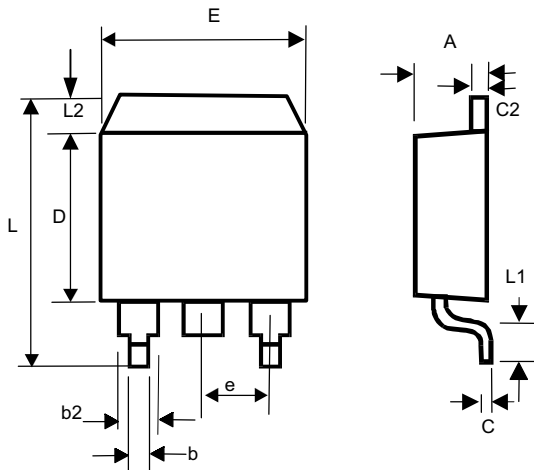
## ■ PHYSICAL DIMENSIONS

### ● TO-220 (unit: mm)



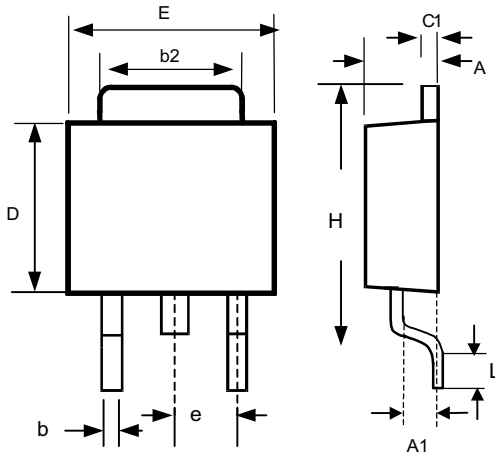
SYMBOL	MIN	MAX
A	3.56	4.82
D	14.23	16.51
E	9.66	10.66
e	2.29	2.79
e1	0.50	1.15
e2	-	1.10
F	0.51	1.39
J1	2.04	2.92
L	12.70	14.73

● TO-263 (unit: mm)



SYMBOL	MIN	MAX
A	4.06	4.83
b	0.50	1.00
b2	1.14	1.40
C	-	0.7
c2	1.14	1.40
D	8.63	9.66
E	9.65	10.29
e	2.54 (TYP.)	
L	14.60	15.88
L1	2.28	2.80
L2	-	1.40

● TO-252 (unit: mm)



SYMBOL	MIN	MAX
A	2.19	2.38
A1	1.02	1.27
b	0.64	0.88
b2	5.21	5.46
C1	0.46	0.58
D	5.33	5.59
E	6.35	6.73
e	2.28 (TYP.)	
H	9.40	10.42
L	0.51	-

Information furnished by Silicon Standard Corporation is believed to be accurate and reliable. However, Silicon Standard Corporation makes no guarantee or warranty, express or implied, as to the reliability, accuracy, timeliness or completeness of such information and assumes no responsibility for its use, or for infringement of any patent or other intellectual property rights of third parties that may result from its use. Silicon Standard reserves the right to make changes as it deems necessary to any products described herein for any reason, including without limitation enhancement in reliability, functionality or design. No license is granted, whether expressly or by implication, in relation to the use of any products described herein or to the use of any information provided herein, under any patent or other intellectual property rights of Silicon Standard Corporation or any third parties.