

3A DDR Termination Regulator

FEATURES

- Source and sink current capability of 3A
- Low output voltage offset, $\pm 20\text{mV}$
- High accuracy output voltage at full-load
- V_{OUT} adjustable by external resistors
- Low external component count
- Current limit protection
- Thermal protection
- SO-8, TO-252-5 and TO-263-5 packages

APPLICATIONS

- Mother Boards
- Graphic Cards
- DDR Termination Voltage Supply - supports
 - DDR1 (1.25V_{TT}), DDR2 (0.9V_{TT}), and meets JEDEC SSTL-2 and SSTL-3 term. specifications

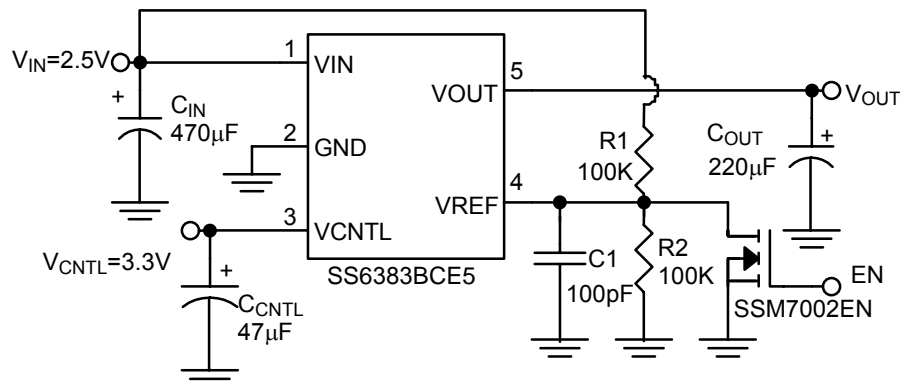
DESCRIPTION

The SS6383B linear regulator is designed to provide 3A source and sink current while regulating an output voltage to within 45mV.

The SS6383B converts voltage supplies ranging from 1.6V to 6V into an output voltage that is set by two external voltage-divider resistors. It provides an excellent voltage source for active termination schemes for high-speed transmission lines such as those seen in high-speed memory buses.

The built-in current-limiting in source and sink mode, together with thermal shutdown, provides maximum protection to the SS6383B against fault conditions.

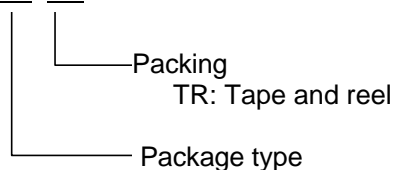
TYPICAL APPLICATION CIRCUIT



 This device is available with Pb-free lead finish (second-level interconnect) as SS6383BGxx

ORDERING INFORMATION

SS6383BXXX XX



- Package type
- CM5: TO-263-5, commercial
 - CE5 : TO-252-5, commercial
 - CS : SO-8, commercial
 - GM5 : TO-263-5, commercial, Pb-free
 - GE5 : TO-252-5, commercial, Pb-free
 - GS : SO-8, commercial, Pb-free

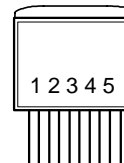
Example: SS6383BGE5TR
 → in TO-252-5 package, with Pb-free lead finish, shipped on tape and reel

PIN CONFIGURATION

TO-263-5

FRONT VIEW

- 1: VIN
- 2: GND
- 3: VCNTL
- 4: VREF
- 5: VOUT



TO-252-5

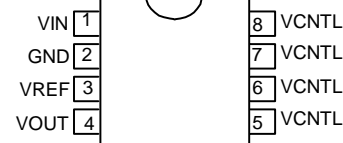
TOP VIEW

- 1: VIN
- 2: GND
- 3: VCNTL
- 4: VREF
- 5: VOUT



SO-8

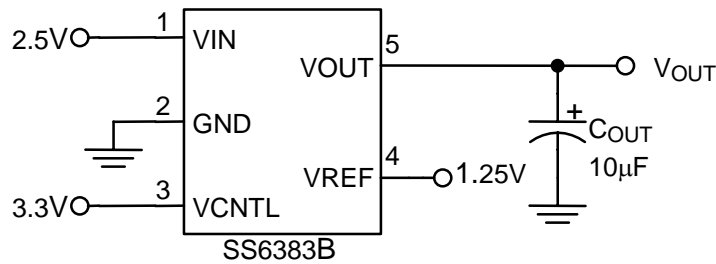
TOP VIEW



ABSOLUTE MAXIMUM RATINGS

Supply Voltage.....		-0.4V to 7V
Operating Temperature Range.....		-40°C~85°C
Storage Temperature Range.....		-65°C ~150°C
Lead Temperature (Solder, 10sec).....		260°C
Thermal Resistance θ_{JC}	TO-263.....	3°C /W
	TO-252.....	12.5°C /W
	SO-8.....	40°C /W
Thermal Resistance θ_{JA}	TO-263.....	60°C /W
(Assume no ambient airflow, no heatsink)	TO-252.....	100°C /W
	SO-8.....	160°C /W

Absolute Maximum Ratings are those values beyond which the life of a device may be impaired.

TEST CIRCUIT

ELECTRICAL CHARACTERISTICS

($V_{CNTL}=3.3V$, $V_{IN}=2.5V$, $V_{REF}=0.5V_{IN}$, $C_{OUT}=10\mu F$, $T_A=25^\circ C$, unless otherwise specified)

PARAMETER	TEST CONDITIONS	SYMBOL	MIN.	TYP.	MAX.	UNIT
Input Voltage (DDR1/2)	Keep $V_{CNTL} \geq V_{IN}$ during power on and off sequences	V_{IN}	1.6	2.5	6	V
		V_{CNTL}	3.0	3.3	6	
Output Voltage	$I_{OUT} = 0mA$	V_{OUT}		V_{REF}		V
Output Voltage Offset	$I_{OUT} = 0mA$	V_{OS}	-20		20	mV
Load Regulation (DDR1/2)	$I_{OUT} = 0.1mA \sim +3A$	ΔV_{LOR}		35	45	mV
	$I_{OUT} = 0.1mA \sim -3A$			35	45	
Quiescent Current	$V_{REF} < 0.2V$, $V_{OUT} = OFF$	I_Q		8	30	μA
Operating Current of V_{CNTL}	No load	I_{CNTL}		3	10	mA
V_{REF} Bias Current	$V_{REF} = 1.25V$		0		1	μA
Current Limit		I_{IL}	3.2	4	6.5	A
THERMAL PROTECTION						
Thermal Shutdown Temperature	$3.3V \leq V_{CNTL} \leq 5V$	T_{SD}	125	150		$^\circ C$
Thermal Shutdown Hysteresis	Guaranteed by design			30		$^\circ C$
SHUTDOWN SPECIFICATIONS						
Shutdown Threshold	Output ON ($V_{REF} = 0V \rightarrow 1.25V$)		0.8			V
	Output OFF ($V_{REF} = 1.25V \rightarrow 0V$)				0.2	

Note 2: V_{OS} is the voltage measurement, which is defined as the difference between V_{OUT} and V_{REF} .

Note 3: Load regulation is measured at constant junction temperature, using pulse testing with a low ON time.

Note 4: Current limit is measured by pulsing a short time.

Note 5: To operate the system safely; V_{CNTL} must be always greater than V_{IN} .

Note 6: Specifications are guaranteed by Statistical Quality Controls (SQC), and not production tested, within the operating temperature range of $-40^\circ C$ to $85^\circ C$.

Note 7: DDR2 is not supported in the TO-263 package.

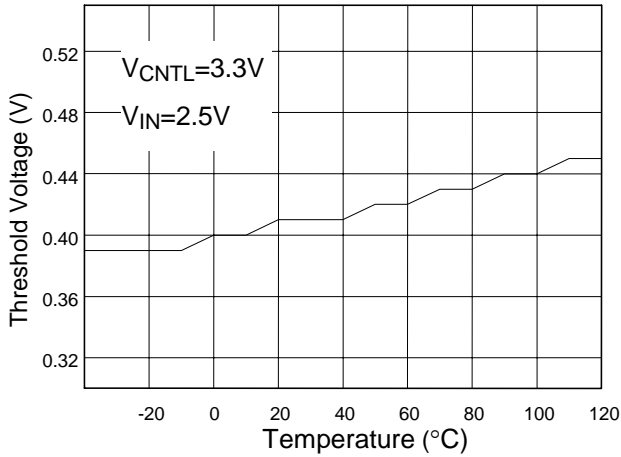
TYPICAL PERFORMANCE CHARACTERISTICS


Fig. 1 Turn-On Threshold vs. Temp.

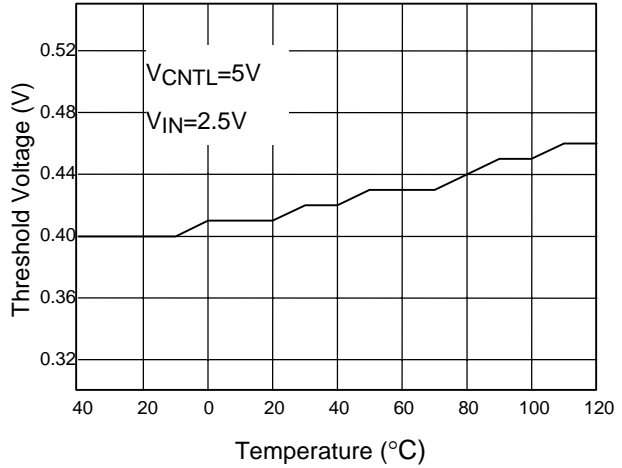


Fig. 2 Turn On Threshold vs. Temp.

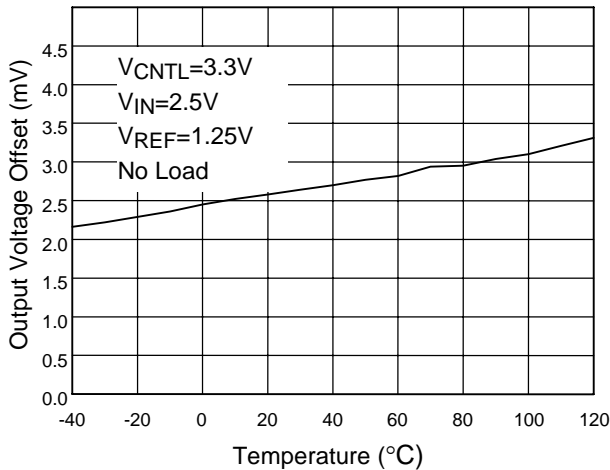


Fig. 3 Output Voltage Offset vs. Temp.

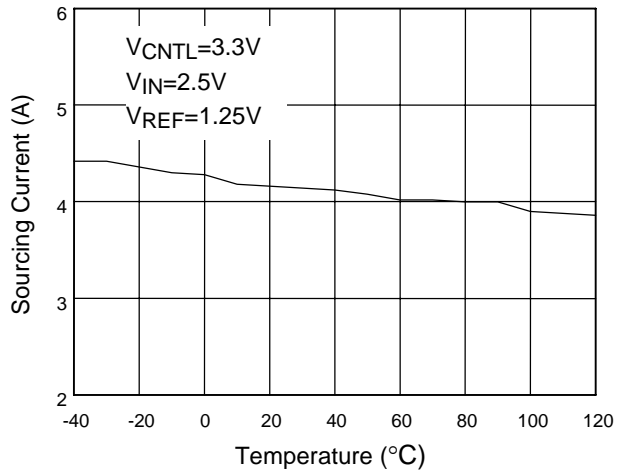


Fig. 4 Current-Limit (Sourcing) vs. Temp.

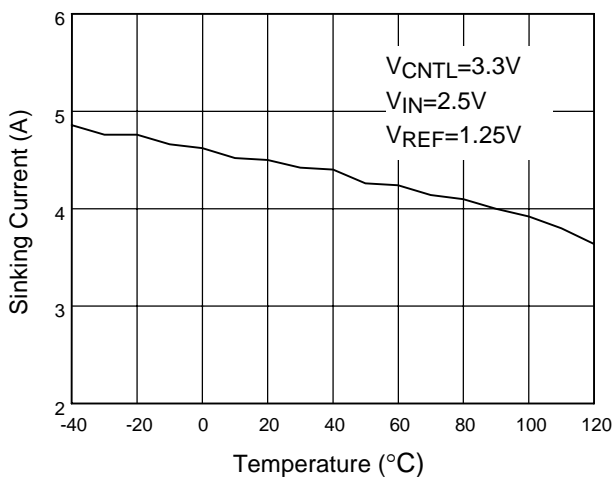
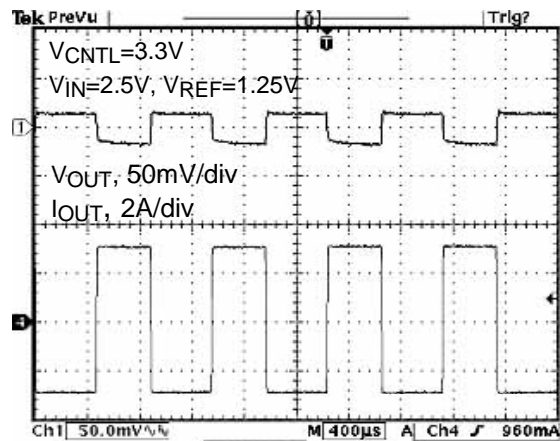


Fig. 5 Current-Limit (Sinking) vs. Temp.


 Fig. 6 Transient Response at 1.25V_{TT}/3A

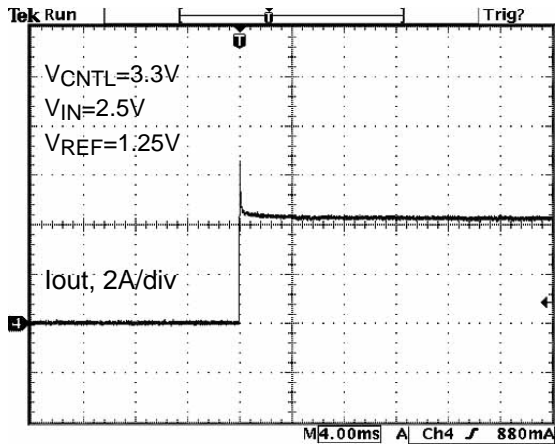
TYPICAL PERFORMANCE CHARACTERISTICS (Continued)


Fig. 7 Output Short-Circuit Protection (Sinking)

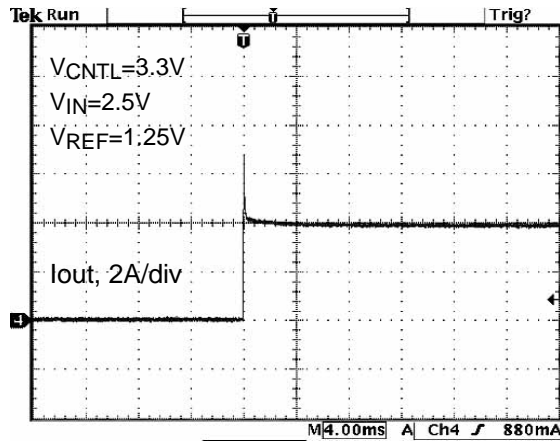
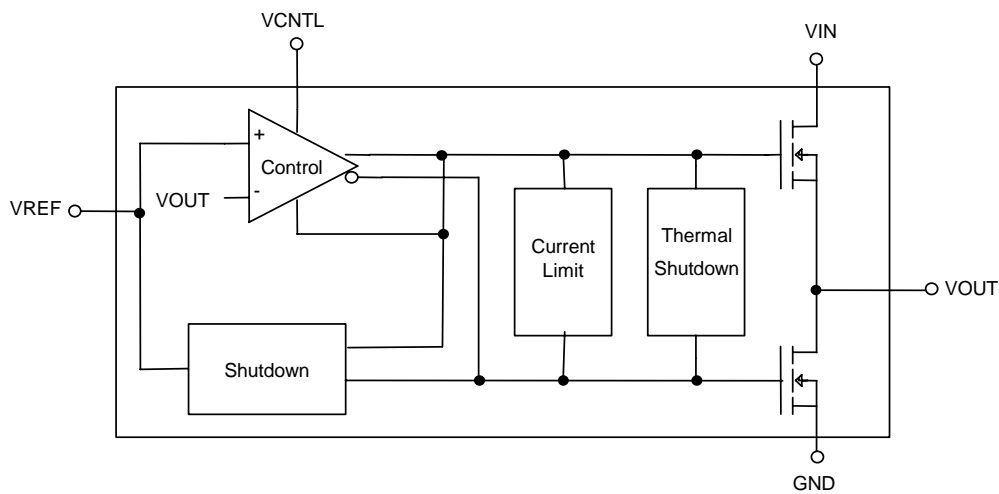


Fig. 8 Output Short-Circuit Protection (Sourcing)

BLOCK DIAGRAM


PIN DESCRIPTIONS (Pin numbers refer to TO-252/263)

- PIN 1: VIN - Input supply pin. It provides main power to create the external reference voltage by divider resistors for regulating VREF and VOUT.
- PIN 2: GND - Ground pin.
- PIN 3: VCNTL - Input supply pin. It is used to supply all the internal control circuitry.

- PIN 4: VREF - Reference voltage input. Pull this pin low to shutdown device.
- PIN 5: VOUT - Output pin.

APPLICATION INFORMATION

Layout Consideration

As the SS6383B is in either SO-8, TO-252-5 or TO-263-5 packages, it is unable to dissipate heat easily when it operates at high current. To avoid exceeding the maximum junction temperature, a suitable copper area must be used.

The large copper area shown at V_{CNTL} pins is able to relieve the thermal dissipation. Using the via to direct heat into the large copper area shown on the bottom layer also helps significantly. All capacitors should be placed as close as possible to the relevant pins.

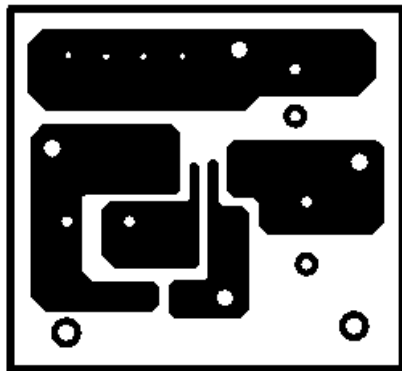


Fig. 9 Top layer for SO-8

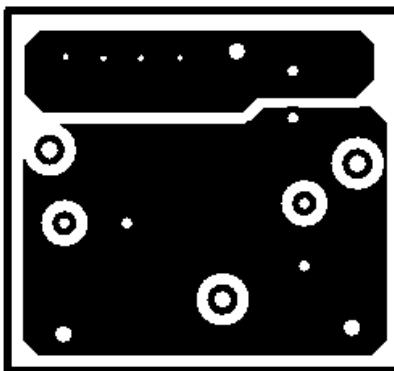


Fig. 10 Bottom layer for SO-8

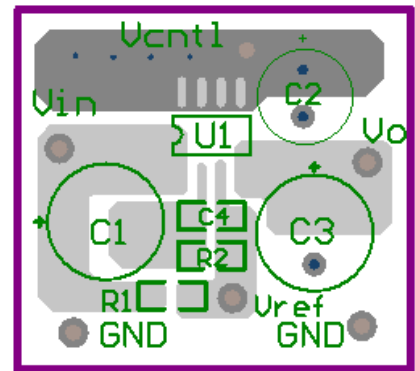
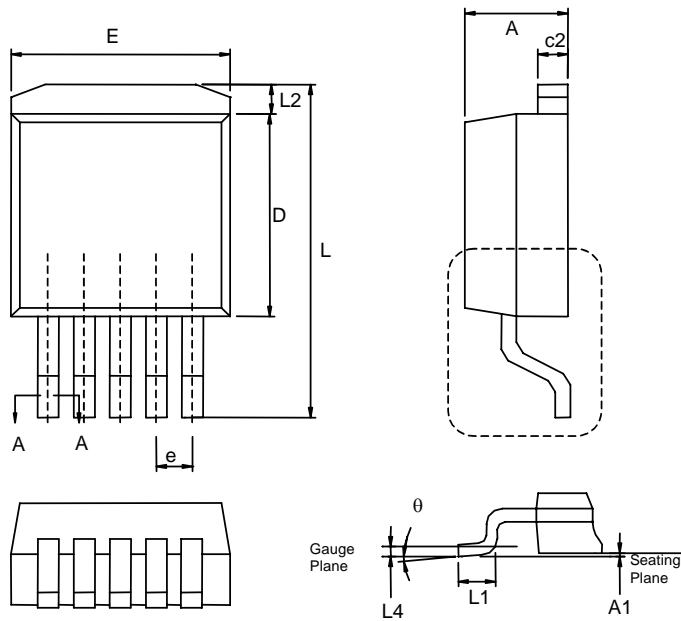
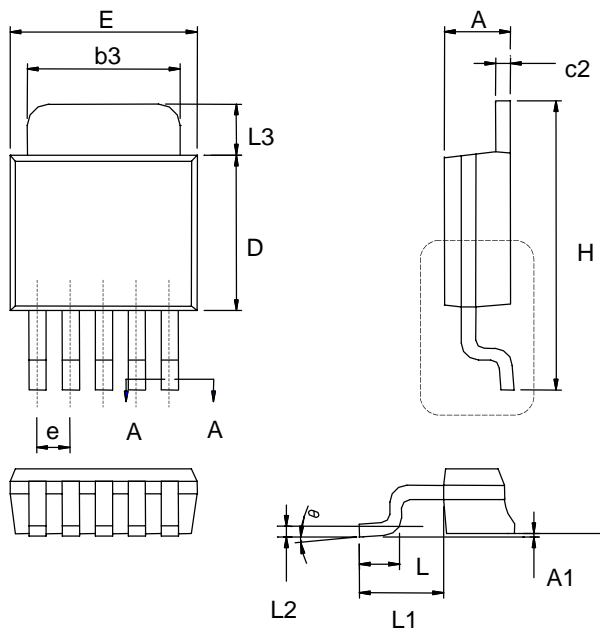


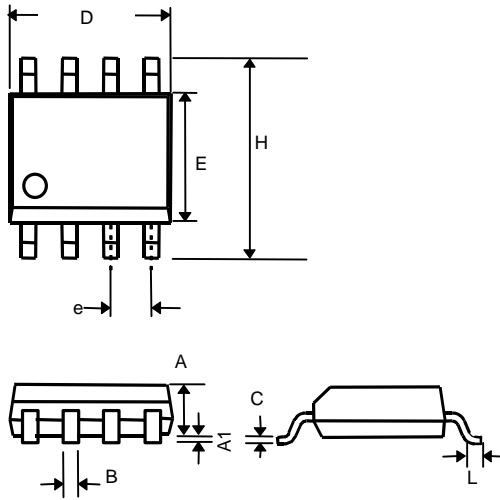
Fig. 11 Placement for SO-8

PHYSICAL DIMENSIONS
TO-263-5


SYMBOL	MIN	MAX
A	4.06	4.83
A1	0	0.15
C2	1.14	1.40
D	8.38	9.65
E	9.65	10.29
e	1.70 BSC	
L	14.61	15.88
L1	2.29	2.79
L2		1.40
L4	0.25 BSC	
θ	0°	8°

TO-252-5


SYMBOL	MIN	MAX
A	2.19	2.38
A1	0	0.13
b3	5.21	5.46
c2	0.46	0.58
D	5.33	5.59
E	6.35	6.73
e	1.27 BSC	
H	9.40	10.41
L	1.4	1.78
L1	2.67 REF	
L2	0.51 BSC	
L3	1.52	2.03
θ	0°	8°

PHYSICAL DIMENSIONS (cont.)
SO-8


SYMBOL	MIN	MAX
A	1.35	1.75
A1	0.10	0.25
B	0.33	0.51
C	0.19	0.25
D	4.80	5.00
E	3.80	4.00
e	1.27(TYP)	
H	5.80	6.20
L	0.40	1.27

Information furnished by Silicon Standard Corporation is believed to be accurate and reliable. However, Silicon Standard Corporation makes no guarantee or warranty, express or implied, as to the reliability, accuracy, timeliness or completeness of such information and assumes no responsibility for its use, or for infringement of any patent or other intellectual property rights of third parties that may result from its use. Silicon Standard reserves the right to make changes as it deems necessary to any products described herein for any reason, including without limitation enhancement in reliability, functionality or design. No license is granted, whether expressly or by implication, in relation to the use of any products described herein or to the use of any information provided herein, under any patent or other intellectual property rights of Silicon Standard Corporation or any third parties.