

300mA Low Dropout Linear Regulator

FEATURES

- Low dropout voltage of 470mV at an output current of 300mA (3.0V output version).
- Guaranteed 300mA output current.
- Low ground current of 55µA
- Output voltage accuracy of 2% at 1.8V/ 2.0V /2.5V /2.7V/ 3.0V/ 3.3V/ 3.5V/ 3.7V/ 3.8V/ 5.0V/5.2V
- Only needs 1µF output capacitor for stability.
- Current and thermal limiting.

 **Pb-free, RoHS compliant.**

APPLICATIONS

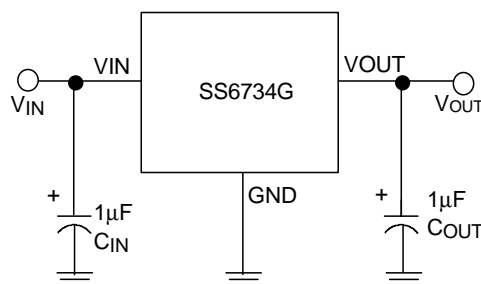
- CD-ROM Drivers.
- LAN Cards.
- Microprocessors.
- DRAM Modules.
- Wireless Communication Systems.
- Battery Powered Systems.

DESCRIPTION

The SS6734G is a 3-pin low-dropout linear regulator with superior characteristics, which include zero base current loss, very low dropout voltage, and output voltage accuracy of 2%. Typical ground current remains approximately 55µA, for loads ranging from zero to maximum. Dropout voltage at an output current of 300mA is exceptionally low. Built-in output current limiting and thermal limiting provide maximum protection against fault conditions.

The SS6734G is available in RoHS-compliant SOT-23-3, SOT-89, and TO-92 packages.

TYPICAL APPLICATION CIRCUIT



Low Dropout Linear Regulator
(C_{IN} and C_{OUT} should be electrolytic capacitors)

ORDERING INFORMATION

SS6734-XXGXX XX

 Packing:
 TR: Tape and reel

 Package type:
 U: SOT-23-3
 XA: SOT-89
 XT: SOT-89
 ZT: TO-92
 ZL: TO-92

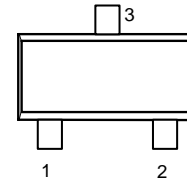
G: Pb-free, RoHS compliant.

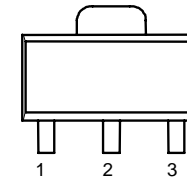
 Output voltage:
 18: 1.8V
 20: 2.0V
 25: 2.5V
 27: 2.7V
 30: 3.0V
 33: 3.3V
 35: 3.5V
 37: 3.7V
 38: 3.8V
 50: 5.0V
 52: 5.2V

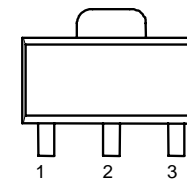
 Example: SS6734-18GXATR
 → 1.8V version, in RoHS-compliant
 SOT-89 package, shipped
 on tape and reel.

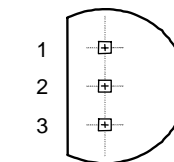
PIN CONFIGURATION

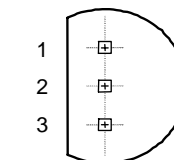
SOT-23 (GU)

 1: GND
 2: VOUT
 3: VIN

 SOT-89 (GXA)
 TOP VIEW

 1: GND
 2: VIN
 3: VOUT

 SOT-89 (GXT)
 TOP VIEW

 1: VOUT
 2: GND
 3: VIN

 TO-92 (GZT)
 TOP VIEW

 1: GND
 2: VIN
 3: VOUT

 TO-92 (GZL)
 TOP VIEW

 1: VIN
 2: GND
 3: VOUT

SOT-23 MARKING

Part No.	GU	Part No.	GU
SS6734-18GU	CD18P	SS6734-35GU	CD35P
SS6734-20GU	CD20P	SS6734-37GU	CD37P
SS6734-25GU	CD25P	SS6734-38GU	CD38P
SS6734-27GU	CD27P	SS6734-50GU	CD50P
SS6734-30GU	CD30P	SS6734-52GU	CD52P
SS6734-33GU	CD33P		

SOT-89 MARKING

Part No.	GXA	Part No.	GXT
SS6734-18GXA	CA18P	SS6734-18GXT	CB18P
SS6734-20GXA	CA20P	SS6734-20GXT	CB20P
SS6734-25GXA	CA25P	SS6734-25GXT	CB25P
SS6734-27GXA	CA27P	SS6734-27GXT	CB27P
SS6734-30GXA	CA30P	SS6734-30GXT	CB30P
SS6734-33GXA	CA33P	SS6734-33GXT	CB33P
SS6734-35GXA	CA35P	SS6734-35GXT	CB35P
SS6734-37GXA	CA37P	SS6734-37GXT	CB37P
SS6734-38GXA	CA38P	SS6734-38GXT	CB38P
SS6734-50GXA	CA50P	SS6734-50GXT	CB50P
SS6734-52GXA	CA52P	SS6734-52GXT	CB52P

ABSOLUTE MAXIMUM RATINGS

Input Supply Voltage.....	-0.3 ~12V
Operating Temperature Range	-40°C~ 85°C
Storage Temperature Range	-65°C~150°C
Maximum Junction Temperature.....	125°C
Lead Temperature (Soldering) 10 sec.	260°C
Thermal Resistance Junction to Ambient	SOT-89 Package..... 160°C/W
(Assumes no ambient airflow, no heatsink)	TO-92 Package..... 150°C/W
	SOT-23 Package..... 180°C/W

Absolute Maximum Ratings are those values beyond which the life of a device may be impaired.

TEST CIRCUIT

Refer to the TYPICAL APPLICATION CIRCUIT

ELECTRICAL CHARACTERISTICS ($T_A=25^{\circ}\text{C}$, $C_{IN}=1\mu\text{F}$, $C_{OUT}=1\mu\text{F}$, unless otherwise specified.) (Note1)

PARAMETER	TEST CONDITIONS	MIN.	TYP.	MAX.	UNIT	
Output Voltage	No Load					
	SS6734-52	$V_{IN}=5.5\sim 12\text{V}$	5.100	5.200	5.300	V
	SS6734-50	$V_{IN}=5.5\sim 12\text{V}$	4.900	5.000	5.100	
	SS6734-38	$V_{IN}=4.1\sim 12\text{V}$	3.725	3.800	3.875	
	SS6734-37	$V_{IN}=4.0\sim 12\text{V}$	3.625	3.700	3.775	
	SS6734-35	$V_{IN}=4.0\sim 12\text{V}$	3.430	3.500	3.570	
	SS6734-33	$V_{IN}=4.0\sim 12\text{V}$	3.235	3.300	3.365	
	SS6734-30	$V_{IN}=4.0\sim 12\text{V}$	2.940	3.000	3.060	
	SS6734-27	$V_{IN}=4.0\sim 12\text{V}$	2.646	2.700	2.754	
	SS6734-25	$V_{IN}=4.0\sim 12\text{V}$	2.450	2.500	2.550	
SS6734-20	$V_{IN}=4.0\sim 12\text{V}$	1.960	2.000	2.040		
SS6734-18	$V_{IN}=4.0\sim 12\text{V}$	1.764	1.800	1.836		
Output Voltage Temperature Coefficient	(Note 2)		50		PPM/ $^{\circ}\text{C}$	
Line Regulation	$I_L=1\text{mA}$, $1.4\text{V}\leq V_{OUT}\leq 3.2\text{V}$	$V_{IN}=4\text{V}\sim 12\text{V}$		3	10	mV
	$3.3\text{V}\leq V_{OUT}\leq 5.2\text{V}$	$V_{IN}=5.5\text{V}\sim 12\text{V}$		3	10	
Load Regulation (Note 3)	$I_L=0.1\sim 300\text{mA}$ $1.4\text{V}\leq V_{OUT}\leq 3.9\text{V}$	$V_{IN}=5\text{V}$		7	20	mV
	$4.0\text{V}\leq V_{OUT}\leq 5.2\text{V}$	$V_{IN}=7\text{V}$		15	40	
Current Limit (Note 4)	$V_{IN}=7\text{V}$, $V_{OUT}=0\text{V}$		300		mA	
Dropout Voltage (Note 5)	$I_L=300\text{mA}$	$4.0\text{V}\leq V_{OUT}\leq 5.2\text{V}$		400		mV
		$3.0\text{V}\leq V_{OUT}\leq 3.9\text{V}$		470		
		$2.5\text{V}\leq V_{OUT}\leq 2.9\text{V}$		570		
		$2.0\text{V}\leq V_{OUT}\leq 2.4\text{V}$		800		
Ground Current	$I_O=0.1\text{mA}\sim I_{MAX}$ $1.4\text{V}\leq V_{OUT}\leq 3.9\text{V}$	$V_{IN}=5\sim 12\text{V}$		55	80	μA
	$4.0\text{V}\leq V_{OUT}\leq 5.2\text{V}$	$V_{IN}=7\sim 12\text{V}$		55	80	

Note 1: Specifications are guaranteed by Statistical Quality Control (SQC), not by 100% production testing, over the operating temperature range from -40°C to 85°C .

Note 2: Guaranteed by design.

Note 3: Regulation is measured at constant junction temperature, using pulse testing with a low ON time.

Note 4: Current limit is measured by pulsing a short time.

Note 5: Dropout voltage is defined as the input to output differential at which the output voltage drops 100mV below the value of the output voltage measured with a 1V differential.

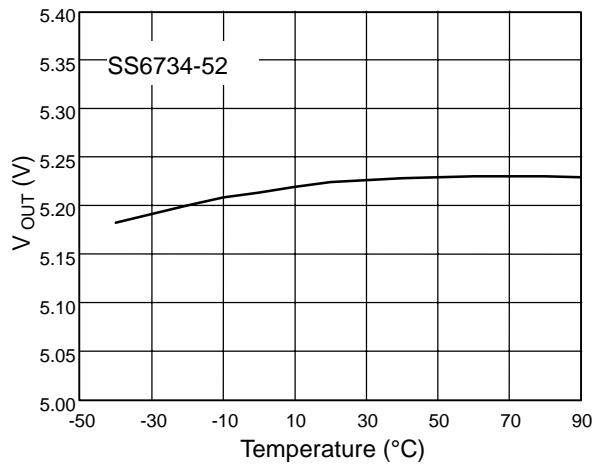
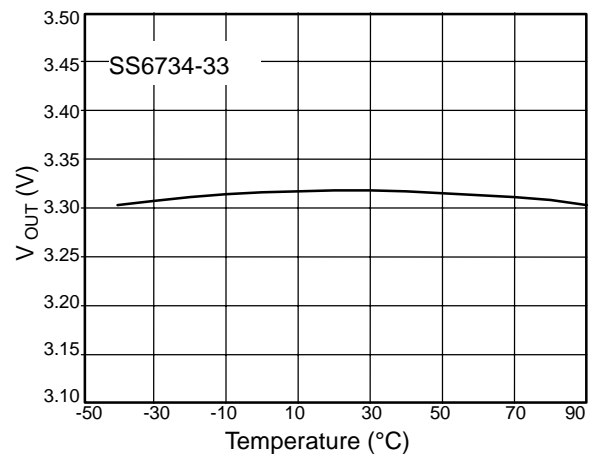
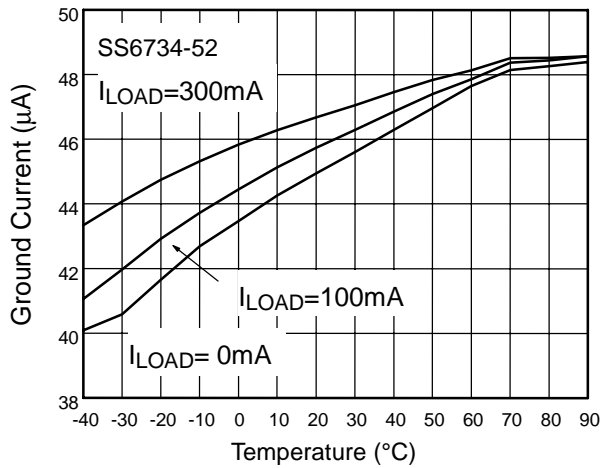
TYPICAL PERFORMANCE CHARACTERISTICS

 Fig. 1 V_{OUT} vs. Temperature

 Fig. 2 V_{OUT} vs. Temperature


Fig. 3 Ground Current vs. Temperature

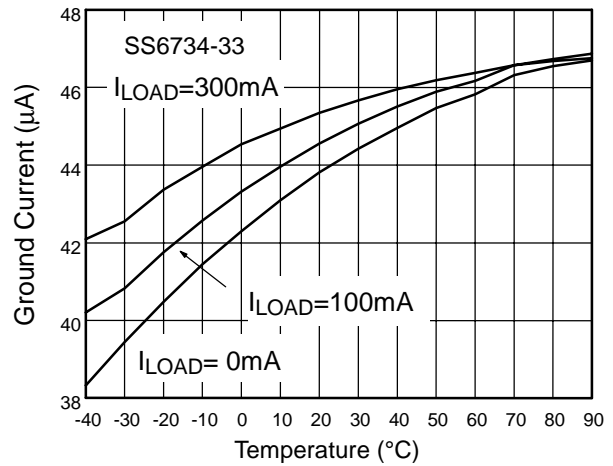
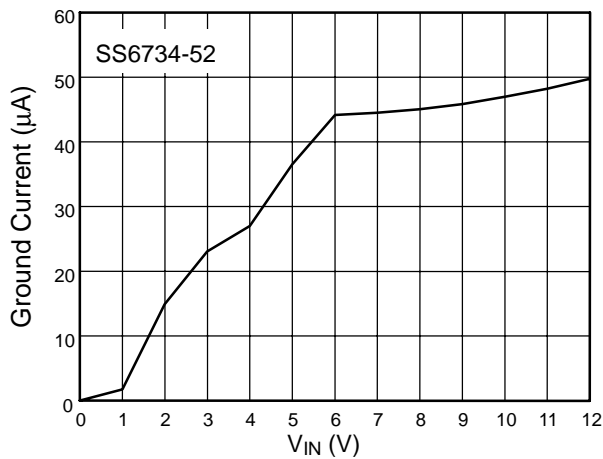
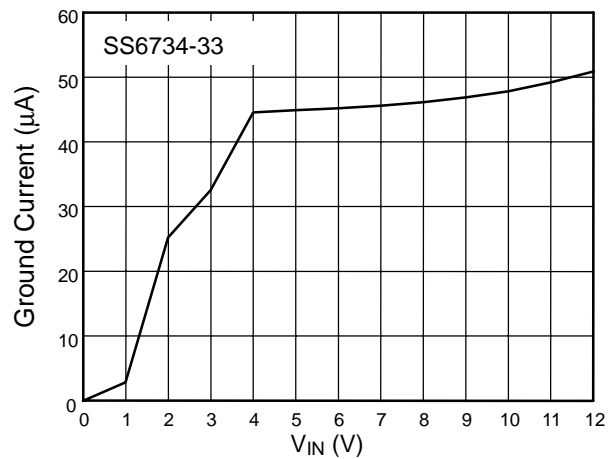


Fig. 4 Ground Current vs. Temperature


 Fig. 5 Ground Current vs. V_{IN}

 Fig. 6 Ground Current vs. V_{IN}

TYPICAL PERFORMANCE CHARACTERISTICS (Continued)

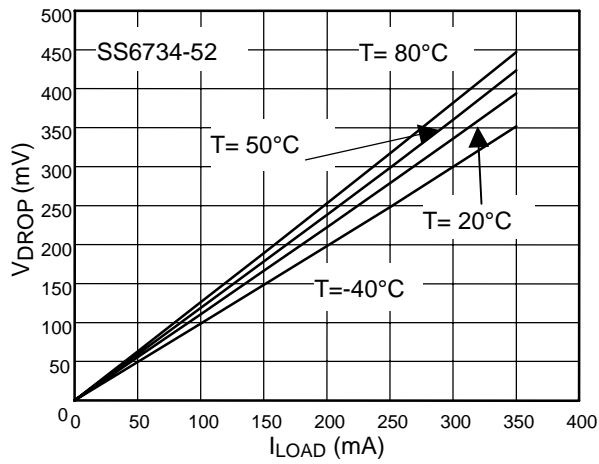


Fig. 7 V_{DROP} vs. I_{LOAD}

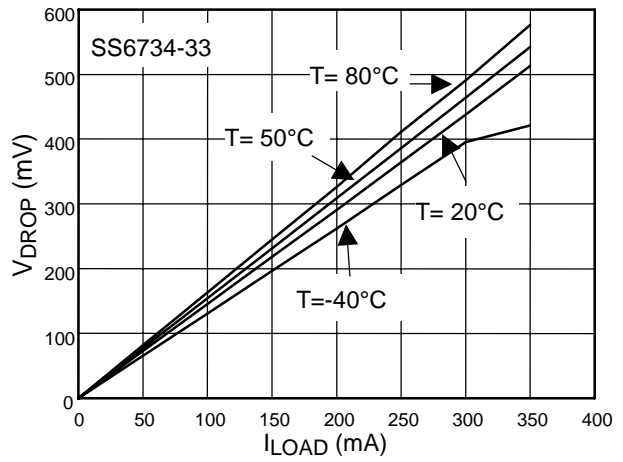


Fig. 8 V_{DROP} vs. I_{LOAD}

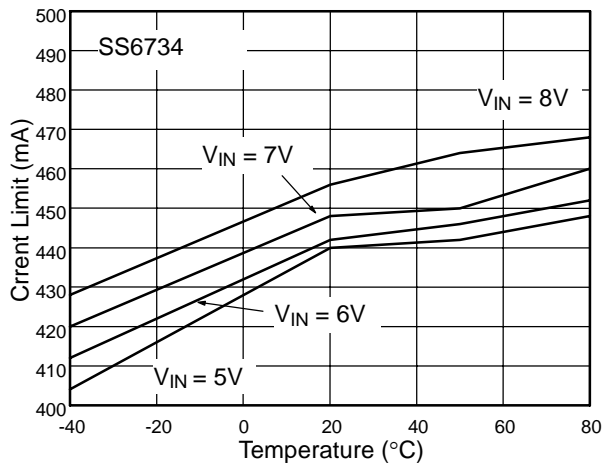
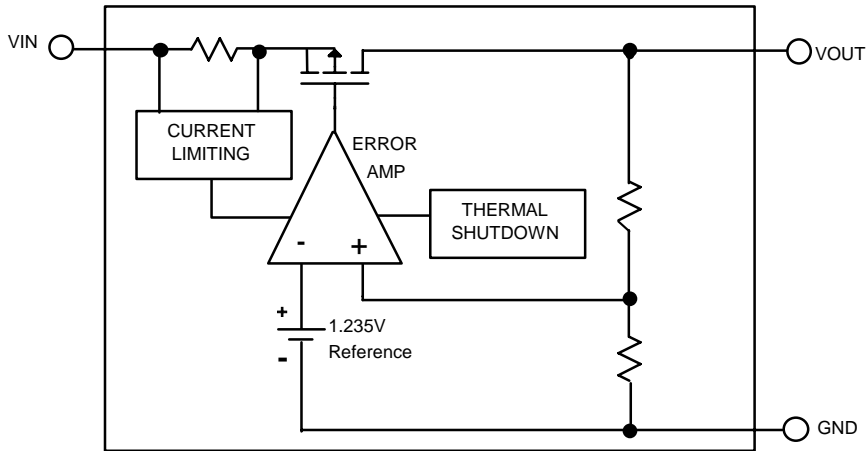


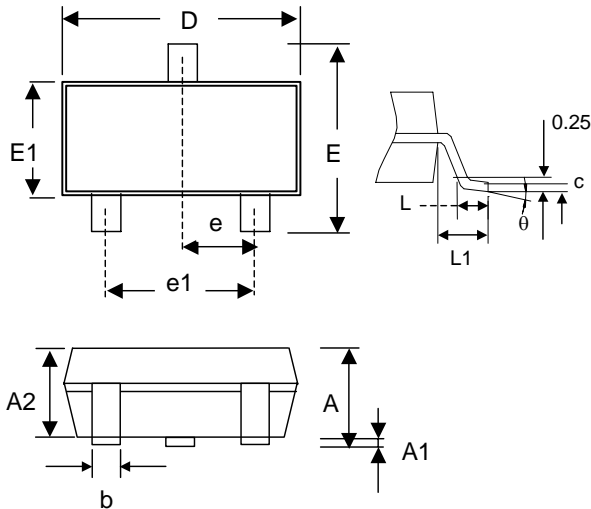
Fig. 9 Current Limit vs. Temperature

BLOCK DIAGRAM

PIN DESCRIPTIONS

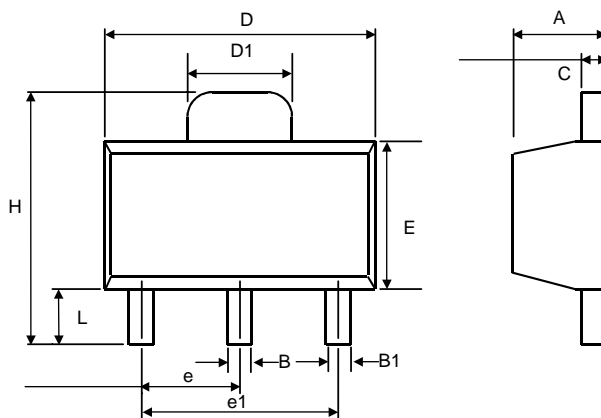
- VOUT PIN - Output pin.
- GND PIN - Power GND.
- VIN PIN - Power Supply Input.

PHYSICAL DIMENSIONS (unit: mm)

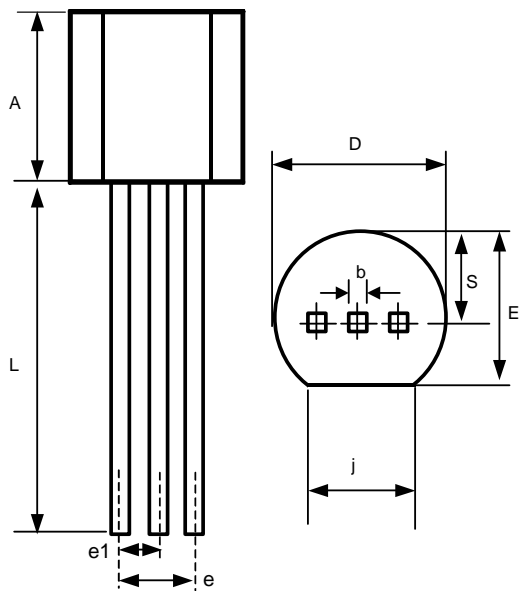
 All package options are Pb-free, RoHS compliant.

SOT-23 (GU)


SYMBOL	MIN	MAX
A	0.95	1.45
A1	0.05	0.15
A2	0.90	1.30
b	0.30	0.50
c	0.08	0.22
D	2.80	3.00
E	2.60	3.00
E1	1.50	1.70
e	0.95 BSC	
e1	1.90 BSC	
L	0.30	0.60
L1	0.60 REF	
θ	0°	8°

SOT-89 (GXX)


SYMBOL	MIN	MAX
A	1.40	1.60
B	0.44	0.56
B1	0.36	0.48
C	0.35	0.44
D	4.40	4.60
D1	1.50	1.83
E	2.29	2.60
e	1.50 BSC	
e1	3.00 BSC	
H	3.94	4.25
L	0.89	1.20

TO-92 (GZX)


SYMBOL	MIN	MAX
A	4.32	5.33
b	0.36	0.47
D	4.45	5.20
E	3.18	4.19
e	2.42	2.66
e1	1.15	1.39
j	3.43	-
L	12.70	-
S	2.03	2.66

Information furnished by Silicon Standard Corporation is believed to be accurate and reliable. However, Silicon Standard Corporation makes no guarantee or warranty, express or implied, as to the reliability, accuracy, timeliness or completeness of such information and assumes no responsibility for its use, or for infringement of any patent or other intellectual property rights of third parties that may result from its use. Silicon Standard reserves the right to make changes as it deems necessary to any products described herein for any reason, including without limitation enhancement in reliability, functionality or design. No license is granted, whether expressly or by implication, in relation to the use of any products described herein or to the use of any information provided herein, under any patent or other intellectual property rights of Silicon Standard Corporation or any third parties.